



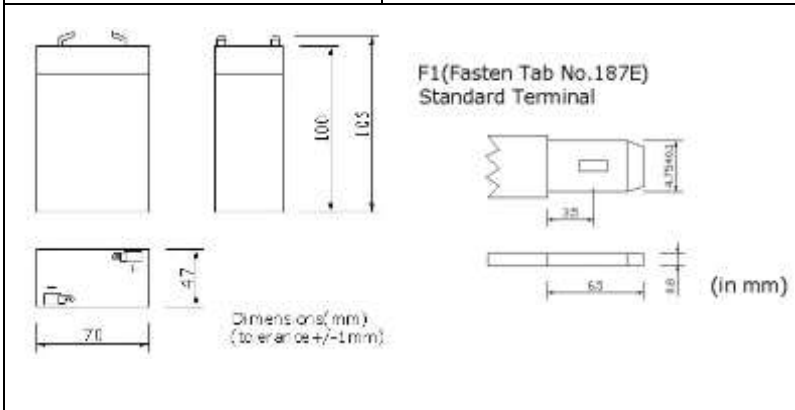
# 4.5Ah 6V Battery

## PHYSICAL SPECIFICATION

Nominal Voltage		6V
Nominal Capacity (20HR)		4.5Ah
Dimension	Length	70±1mm (2.76 inches)
	Width	47±1mm (1.85 inches)
	Container Height	100±1mm (3.94 inches)
	Total Height	105±1mm (4.13 inches)
Weight		Approx. 0.71kg ±3% (1.56lbs)
Standard Terminal		Fasten Tab No.187E (F1)



Nova Code: **BAT-301**



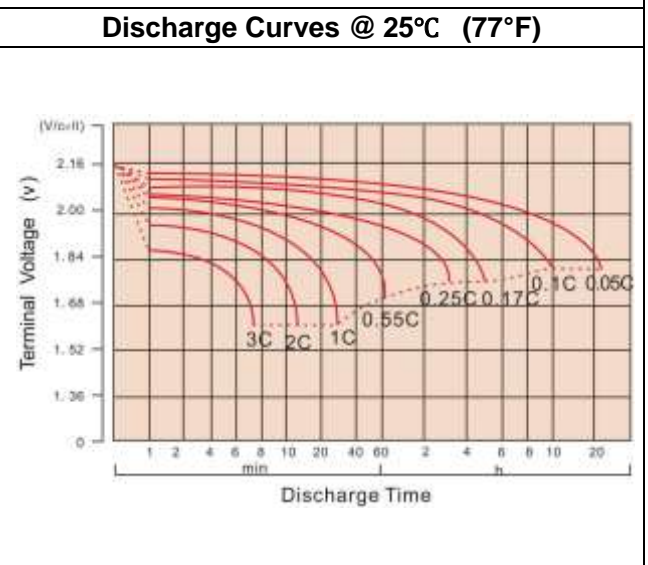
AGM VRLA Batteries have been developed as general purpose Batteries. They are valve regulated lead acid Batteries with high quality Absorbed Glass Mat (AGM) separators and high purity raw materials featured by perfectly good performance and reliable standby service life.

**FEATURES:**

1. Non spillable
2. Sealed and maintenance free
3. High quality and high reliability
4. Less gassing and low self-discharge
5. Low internal resistance
6. Long design life up to 6 years in float service at 25°C (77°F)

## ELECTRICAL SPECIFICATION

Characteristics		Discharge Curves @ 25°C (77°F)	
Capacity	20 hour rate	(0.225A)	4.5Ah
	10 hour rate	(0.423A)	4.2Ah
	5 hour rate	(0.765A)	3.8Ah
	3 hour rate	(1.125A)	3.4Ah
	1 hour rate	(2.475A)	2.5Ah
Capacity affected by Temperature	40°C (104 °F)		102%
	25°C (77 °F)		100%
	0°C (32 °F)		85%
Max Discharge Current	45A(5 Sec)		
Short Circuit Current	234A		
Internal Resistance	Full charged battery (25°C / 77 °F) 25mΩ		
Constant Voltage Charge	Cycle	Initial charging current less than 1.35A Voltage 7.20 - 7.50V at 25°C(77 °F) Temperature coefficient -15mV/°C	
	Standby	No limit on initial charging current Voltage 6.75 - 6.90V at 25°C(77 °F) Temperature coefficient -10mV/°C	



**CONSTANT CURRENT DISCHARGE RATING A @ 25°C**

<b>F.V/TIME</b>	<b>5MIN</b>	<b>10MIN</b>	<b>15MIN</b>	<b>30MIN</b>	<b>1HR</b>	<b>3HR</b>	<b>5HR</b>	<b>10HR</b>	<b>20HR</b>
1.60V	17.10	12.10	8.746	5.025	2.768	1.275	0.852	0.445	0.235
1.65V	15.93	11.46	8.365	4.825	2.675	1.238	0.831	0.440	0.232
1.70V	14.38	10.55	7.835	4.695	2.574	1.200	0.809	0.435	0.228
1.75V	12.87	9.612	7.292	4.409	2.475	1.163	0.787	0.428	0.225
1.80V	11.32	8.700	6.736	4.215	2.385	1.125	0.765	0.423	0.223

**CONSTANT POWER DISCHARGE RATING WATT PER CELL @ 25°C**

<b>F.V/TIME</b>	<b>5MIN</b>	<b>10MIN</b>	<b>15MIN</b>	<b>30MIN</b>	<b>1HR</b>	<b>3HR</b>	<b>5HR</b>	<b>10HR</b>	<b>20HR</b>
1.60V	28.350	20.560	15.290	9.127	5.202	2.435	1.641	0.874	0.463
1.65V	26.700	19.860	14.830	8.855	5.055	2.374	1.607	0.867	0.457
1.70V	24.650	18.600	14.100	8.703	4.894	2.312	1.571	0.856	0.450
1.75V	22.570	17.260	13.320	8.257	4.735	2.249	1.532	0.845	0.445
1.80V	20.260	15.900	12.470	7.973	4.589	2.185	1.495	0.834	0.441